

# XDI-F6

## HAZARDOUS AREA GAS DETECTOR

Remote Fixed Gas Detection

Specification Sheet  
ref C959Cv.1

- ATEX/IECE explosion proof
- Rugged and reliable
- 3 alarm points
- CANbus / 4~20mA outputs
- Addressable or stand alone
- One man calibration
- Data logging



The XDI-F6 Gas Sensor is capable of detecting a wide range of flammable gases. Standard 4~20mA signaling with CANbus address enables the sensors to be networked via the GDS Combi control system or customer preferred monitoring systems.

### Certification

- Explosion Proof ATEX
- II 2GD
- Ex db IIC T6...T4 Gb
- Ex tb IIIC T85°C...T135°C Db

### Power Supply

- 15 to 30vDC 24v nominal

### Outputs

- 3 wire 4~20mA / 4 wire CANbus

### Logging

- Intervals – variable time
- Roll over/stop
- Storage – 2,880 readings

### Lid/Base

Thread type with lock screw – 2mm

### Housing Material

Copper free aluminium alloy, optional stainless steel

### Finish

Chemical resistant epoxy paint – RAL 9003 Signal White

Optional – Marine grade finish

### Ingress Protection

IP63

+universal fitting IP64

+hydrophobic filter IP65

### Cable Entry

2 x M20 – 1.5 pitch – alternatives 25mm – ¼ NPT

### Weight

1.6kg

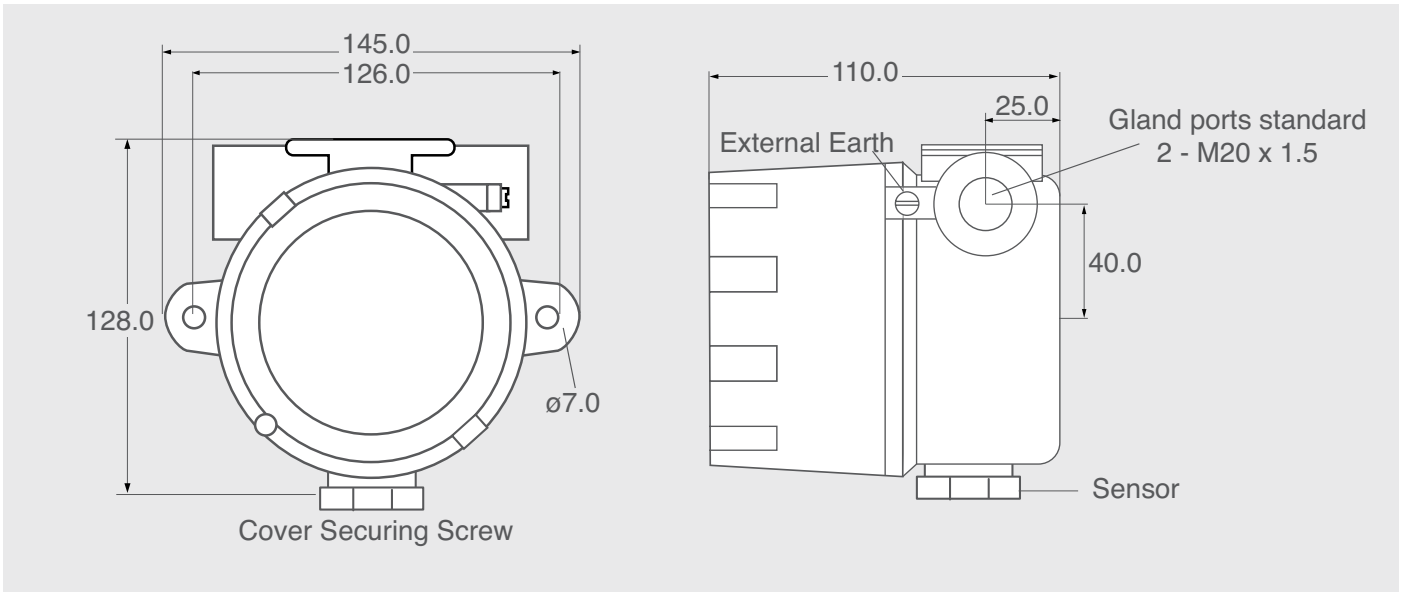
### Temperature

–15°C to +55°C – safe area use

For hazardous area use see temperature ranges on C1010

### Humidity

0 to 99% RH non-condensing



### Gas Type / Range

Flammable gases – LEL

### TRANSMITTER TECHNICAL DATA

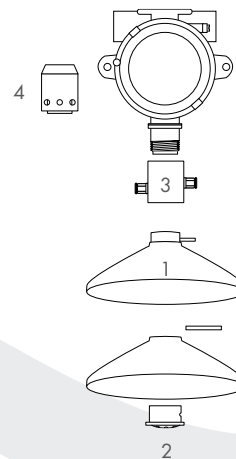
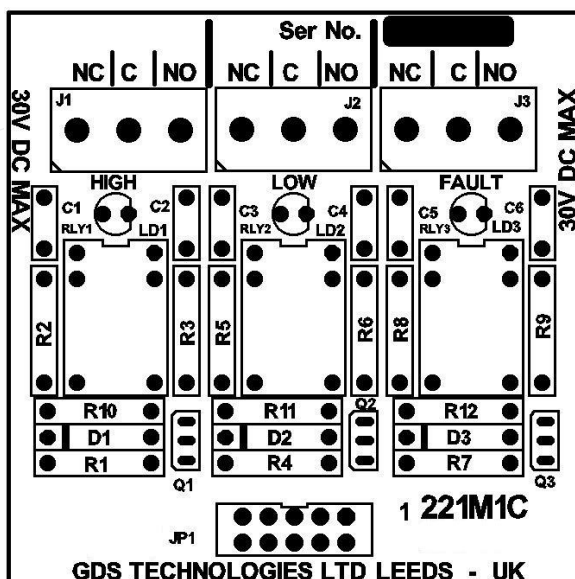
#### Documents

C1883

### Accessories

- 003-062 Collector Cone & Universal Fitting
- 003-064 Universal fitting (Test Gas Applicator/ Spray Deflector)
- 003-066 Flow Block – nylatron
- 003-090 Duct Mount Kit
- 003-083 Detector Head Weather Shield

### Three Relay PCB Detail



This document is not contractual and the specification / detail may be modified at any time without prior notice.  
Declaration of Conformity C815

